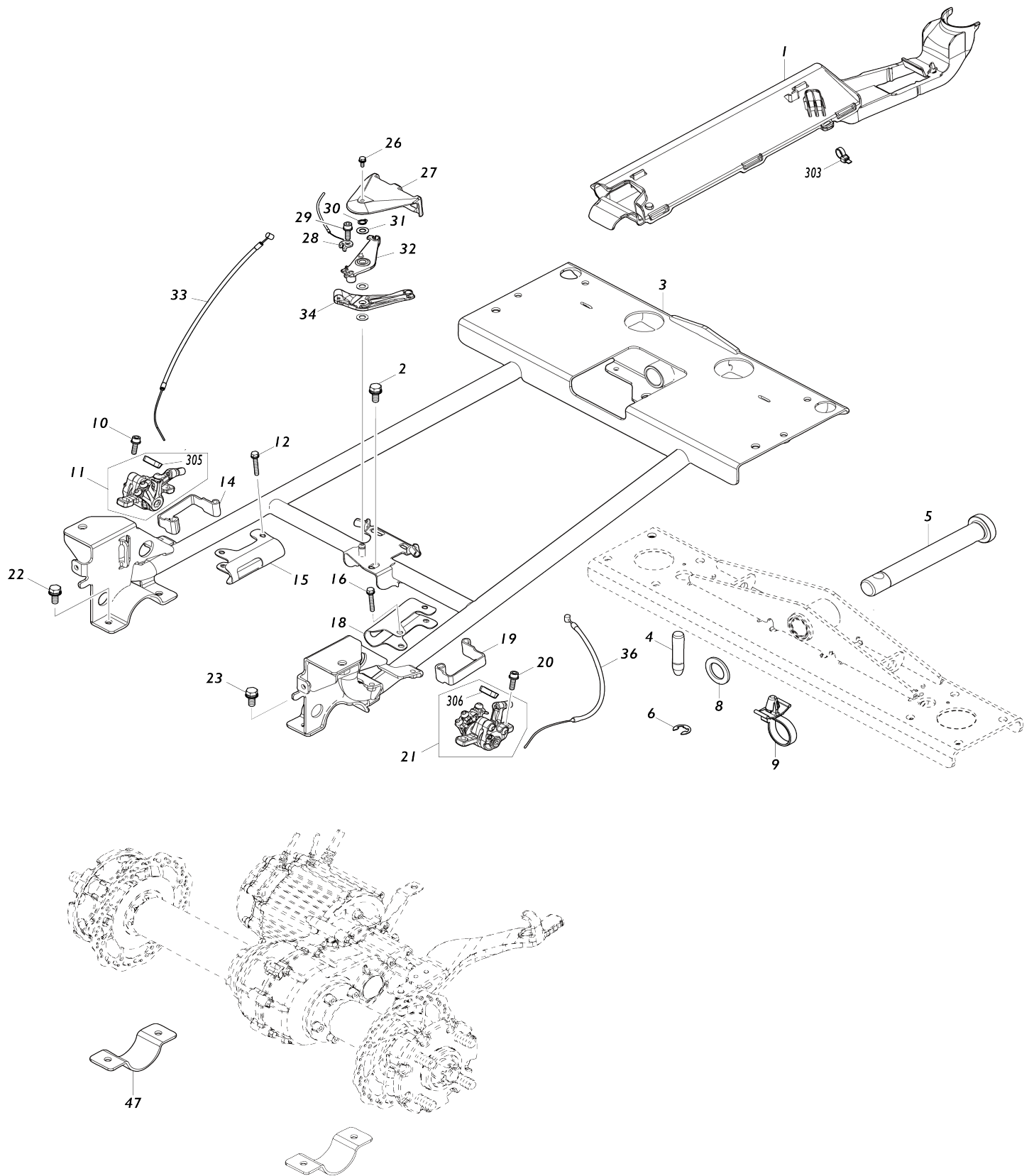
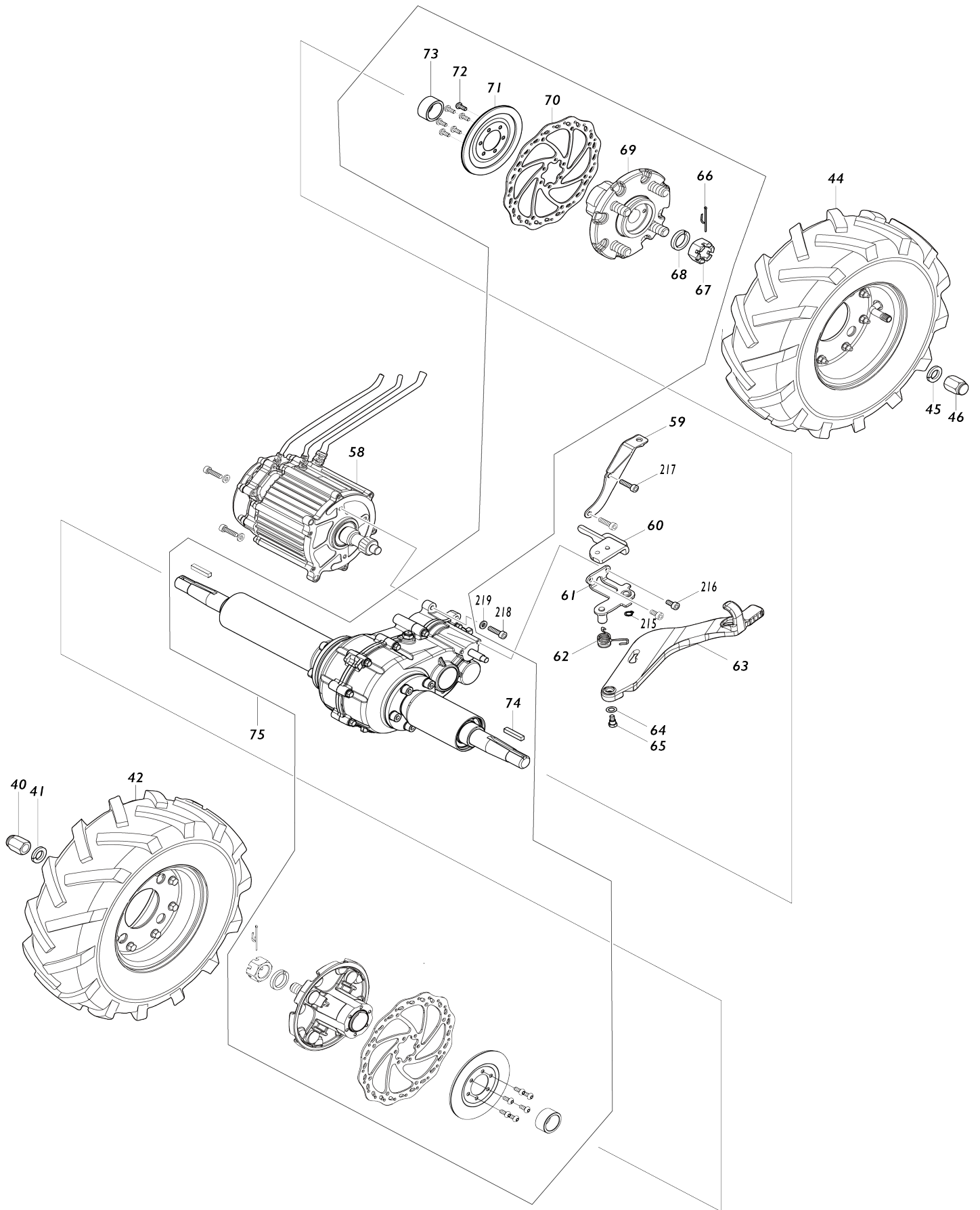


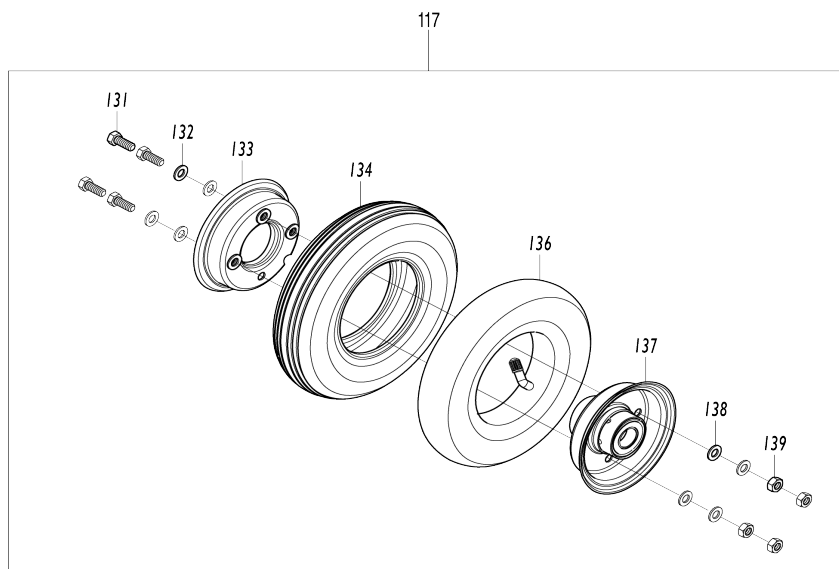
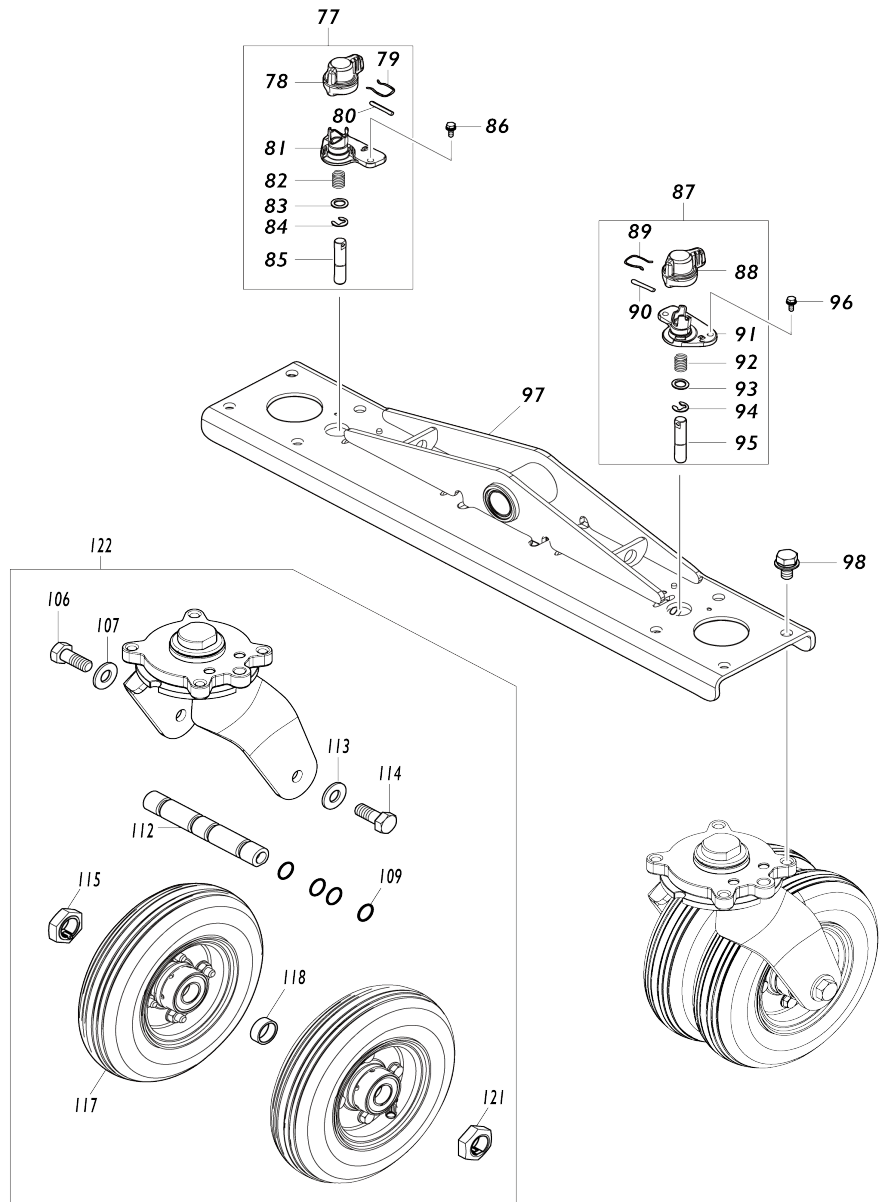
# Model No.DCU603 BATTERY POWERED WHEELBARROW



# Model No.DCU603 BATTERY POWERED WHEELBARROW

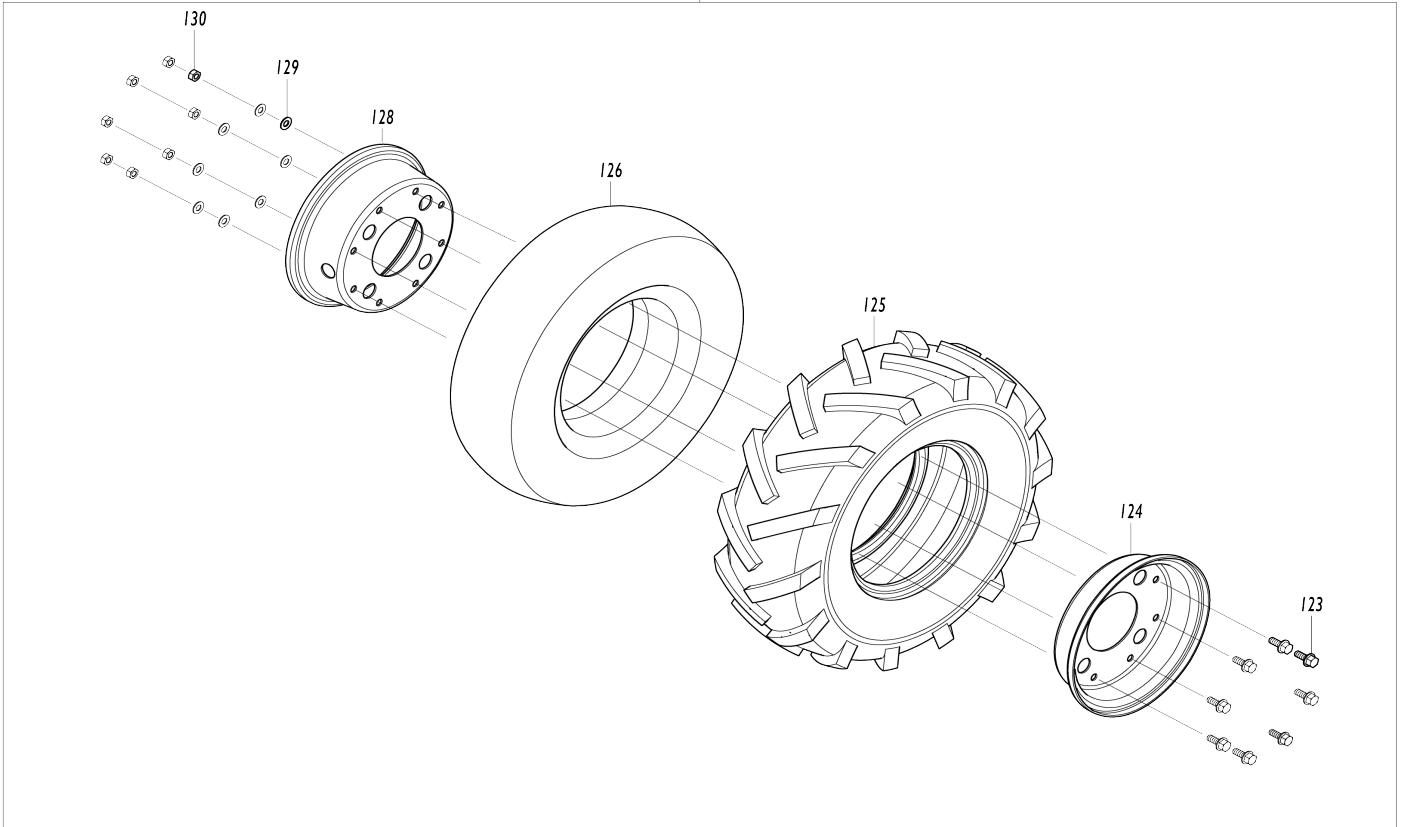


# Model No.DCU603 BATTERY POWERED WHEELBARROW

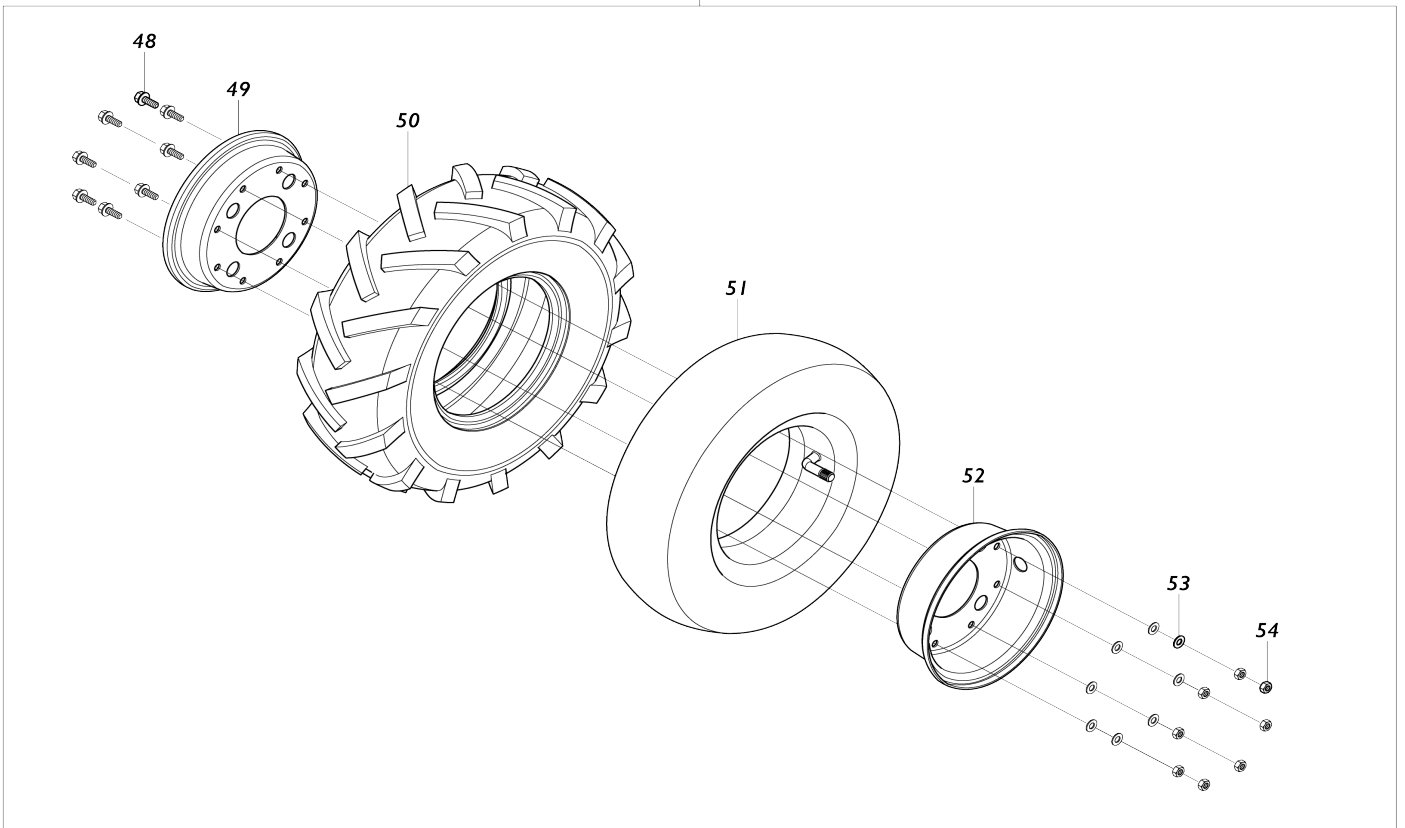


# Model No.DCU603 BATTERY POWERED WHEELBARROW

42

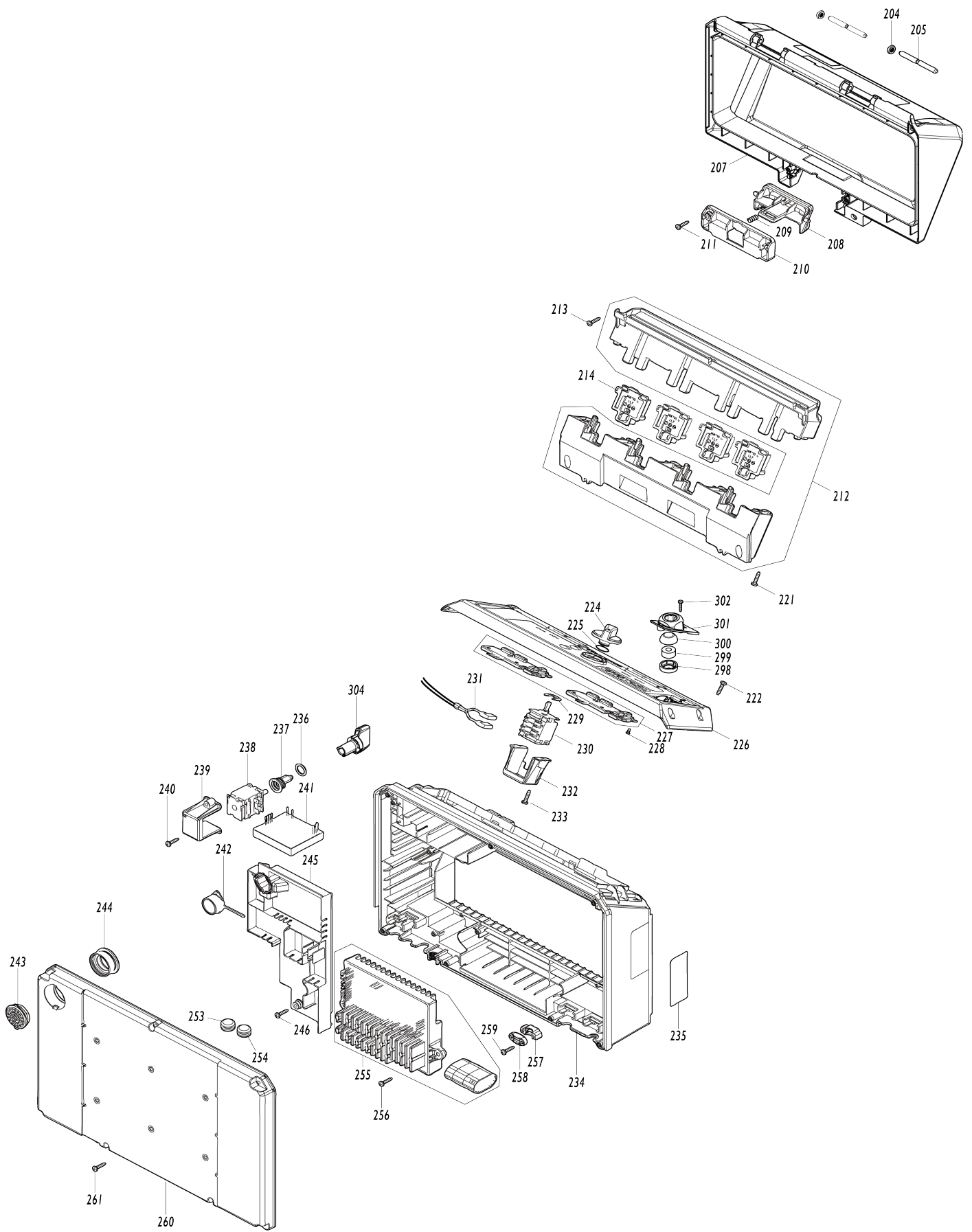


44

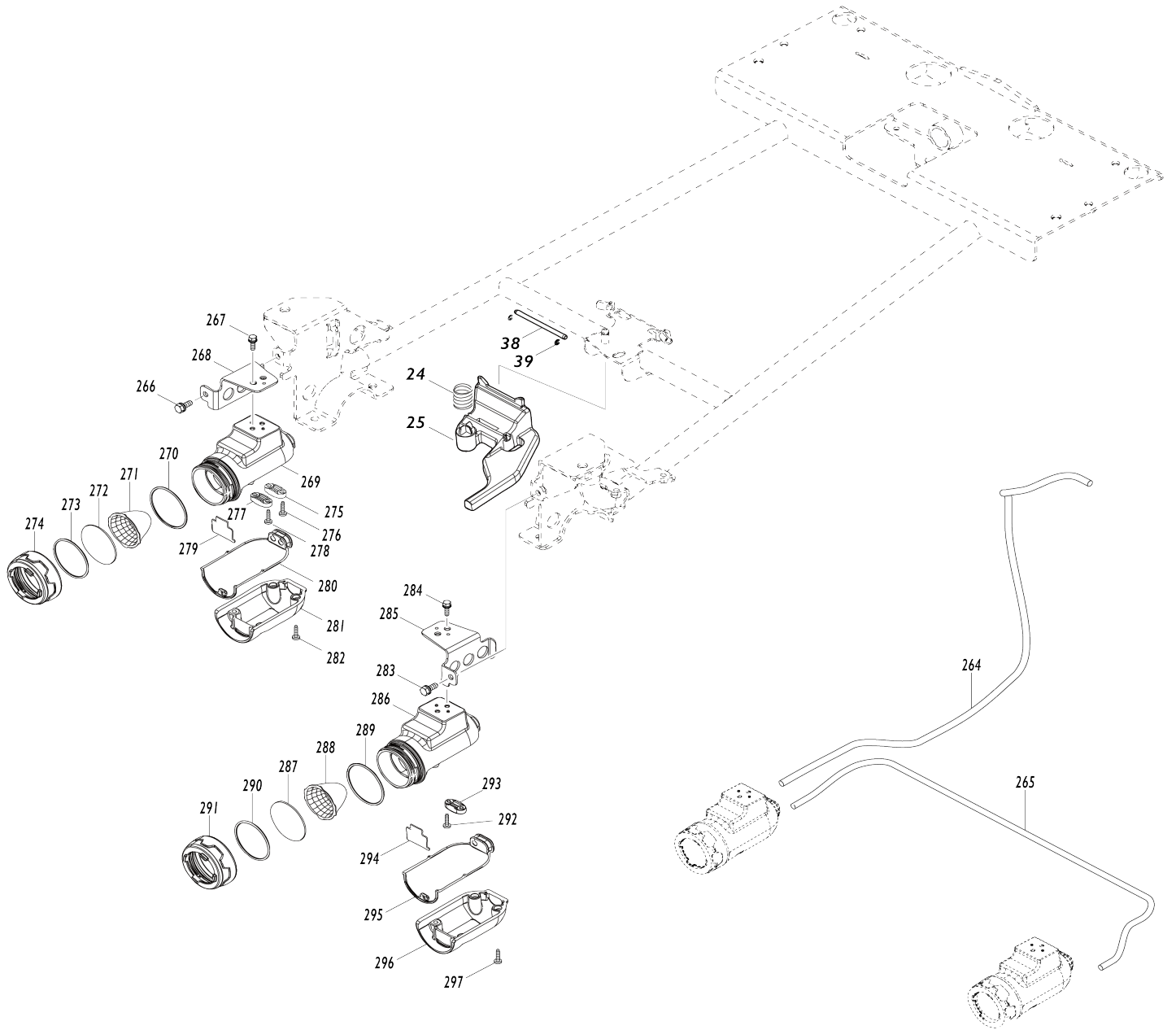




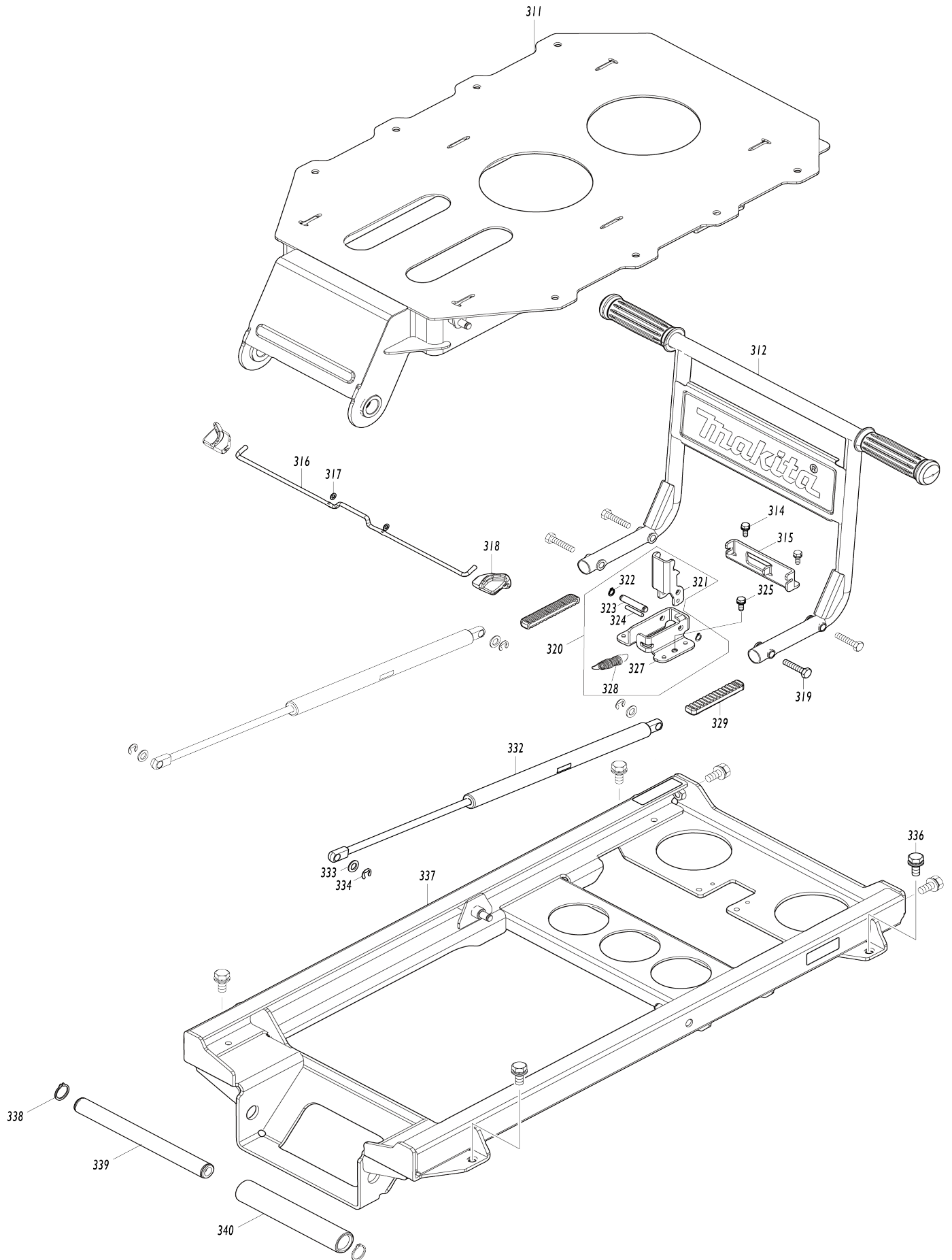
# Model No.DCU603 BATTERY POWERED WHEELBARROW



# Model No.DCU603 BATTERY POWERED WHEELBARROW

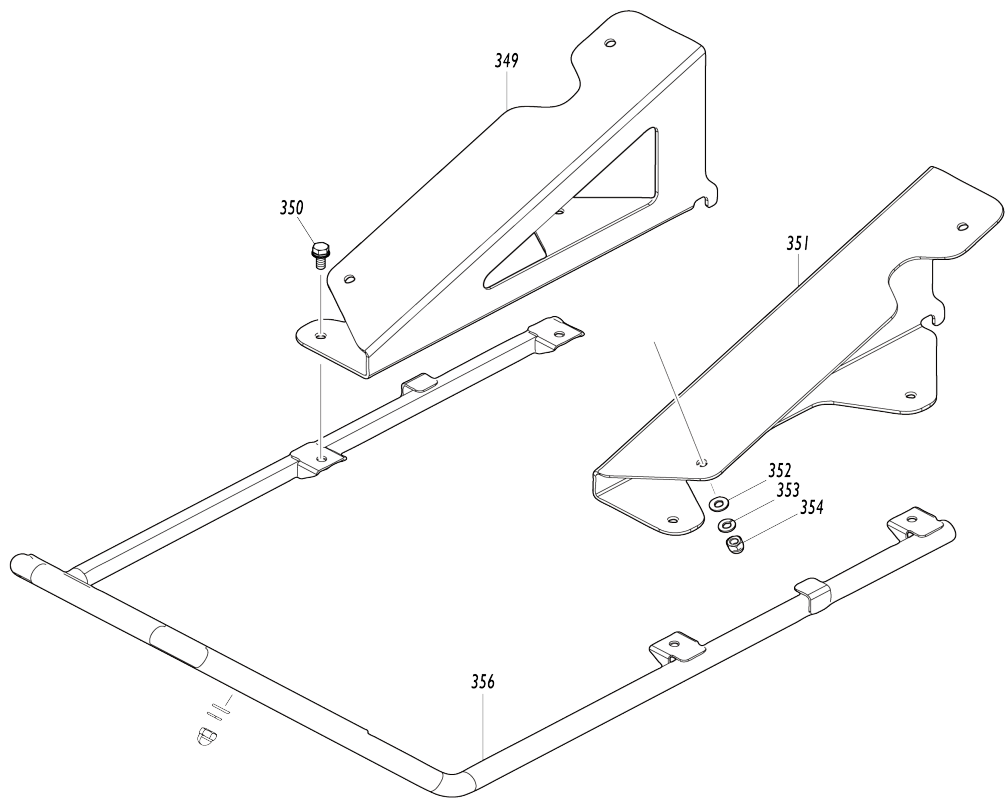
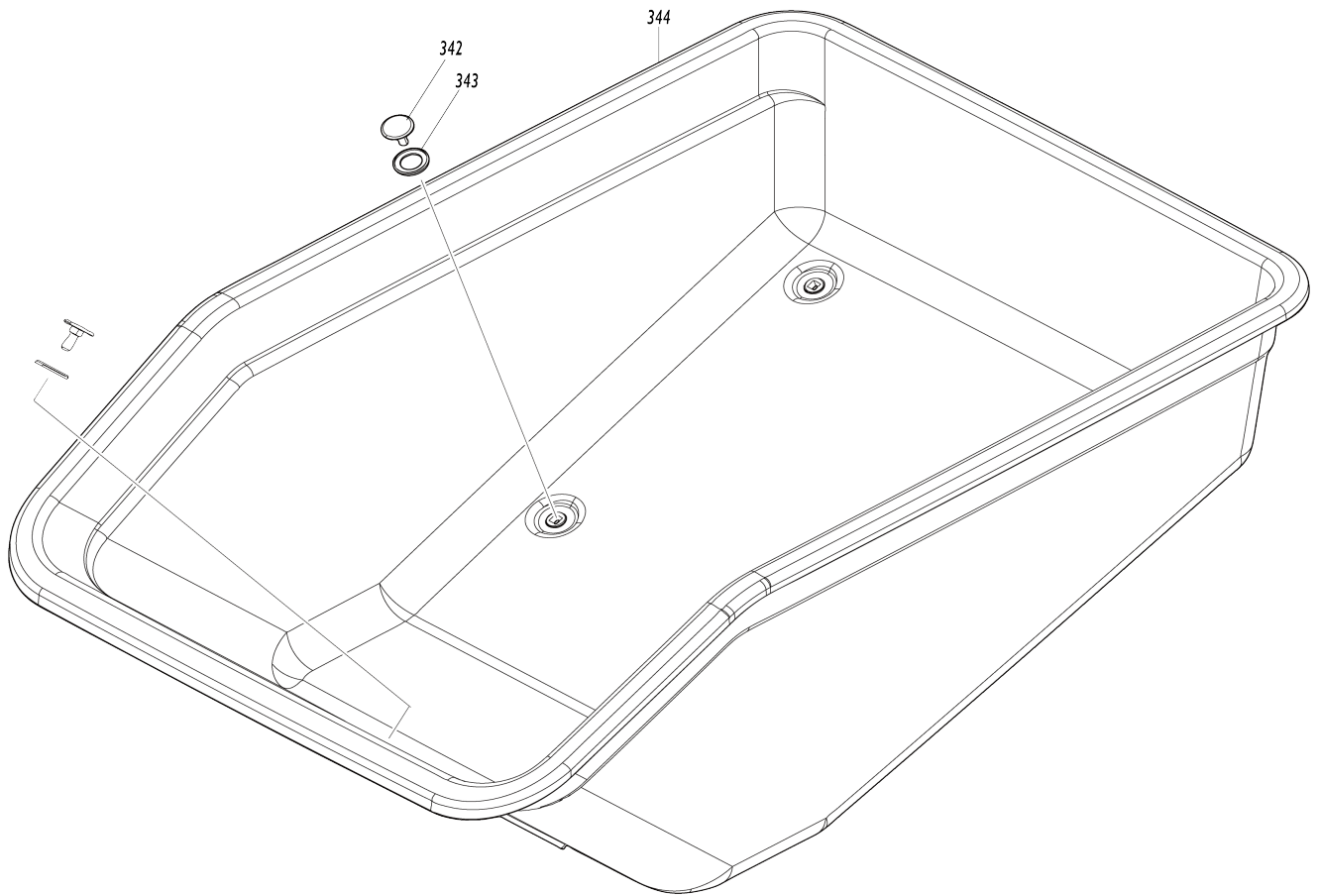


# Model No.DCU603 BATTERY POWERED WHEELBARROW





Model No.DCU603 BATTERY POWERED WHEELBARROW



Model No.DCU603 BATTERY POWERED WHEELBARROW

Item No.	Parts No.	Description
001	412561-2	CORD COVER
002	265B11-6	HEX. BOLT M8X20 WITH WR
003	141P49-8	MAIN FRAME COMPLETE
C10	8064B2-0	INDICATION LABEL
004	256940-2	PIN 14
005	327472-7	BASE SHAFT 25
006	961062-2	STOP RING E-12
008	261163-9	RUBBER WASHER 25
009	687F01-7	BAND
010	265D23-1	HEX. S.H.B M6X22 WITH GM
011	136868-9	BRAKE CALIPER R ASS'Y
011		INC. 305
012	265C76-4	HEX. BOLT M5X35 WITH WR
014	347993-3	SCRAPER
015	347995-9	CLAMP R
016	265C76-4	HEX. BOLT M5X35 WITH WR
018	347994-1	CLAMP L
019	347993-3	SCRAPER
020	265D23-1	HEX. S.H.B M6X22 WITH GM
021	136869-7	BRAKE CALIPER L ASS'Y
021		INC. 306
022	265B11-6	HEX. BOLT M8X20 WITH WR
023	265B11-6	HEX. BOLT M8X20 WITH WR
024	232737-3	COMPRESSION SPRING 19
025	413D27-9	NEUTRAL LEVER LOCK
026	265C46-3	HEX. BOLT M4X12 WITH WG
027	413D28-7	BRAKE EQUALIZER COVER
028	347629-4	CABLE CLAMP
029	265B14-0	H.S.H.BOLT M6X20 WITH WR
030	961004-6	RETAINING RING (EXT) S-8
031	253165-9	FLAT WASHER 8
032	319906-4	BRAKE EQUALIZER R
033	140P25-9	BRAKE CABLE 370
034	319905-6	BRAKE EQUALIZER L
036	140P25-9	BRAKE CABLE 370
038	256A03-0	ROD 4.5
039	961017-7	STOP RING E-3
040	252289-8	HEX. CAP NUT M14
041	253475-4	SPRING WASHER 14
042	141G99-9	TIRE 330 R ASSEMBLY
042		INC. 123-126,128-130
044	141H00-0	TIRE 330 L ASSEMBLY
044		INC. 48-54
045	253475-4	SPRING WASHER 14
046	252289-8	HEX. CAP NUT M14
047	347621-0	CLAMP 57
048	265C39-0	HEX. FLANGE HD. BOLT M6X16

049	347950-1	WHEEL 150
050	422857-3	TIRE 330
051	162B39-4	TUBE 330
C10	GQ00000001	VALVE CAP M8
052	347949-6	WHEEL 150
053	253551-4	FLAT WASHER 6
054	252308-0	HEX. NUT M6-10
058	122E51-4	MOTOR ASSEMBLY
059	347698-5	DIFF BRACKET
060	347A16-3	NEUTRAL LEVER
061	347697-7	NEUTRAL LEVER HOLDER
062	232616-5	TORSION SPRING 14
063	413D41-5	NEUTRAL CHANGE LEVER
064	253430-6	FLAT WASHER 8
065	265465-5	SHOULDER HEX. BOLT M6
066	NP00000001	SPLIT PIN 3-35
067	NP00000002	HEX. NUT M20
068	NP00000003	SPRING WASHER 22
069	313304-4	HUB
070	347208-8	BRAKE DISC
071	141P62-6	PLATE COMPLETE
072	265C87-9	H.S.B. HEAD SCREW M5X12
073	327626-6	SLEEVE 25
074	NP00000004	KEY 6
075	122D22-5	DIFFERENTIAL GEAR UNIT
075		INC. 66-74
077	122C29-5	TURNING LOCK R ASSEMBLY
077		INC. 78-85
078	413D33-4	LOCK LEVER
079	327938-7	SNAP RETAINER
080	268181-8	PIN 3
081	413D32-6	LIFTER GUIDE R
082	232617-3	COMPRESSION SPRING 10
083	253173-0	FLAT WASHER 10
084	961013-5	STOP RING E-7
085	256A04-8	PIN 10
086	265C46-3	HEX. BOLT M4X12 WITH WG
087	122C28-7	TURNING LOCK L ASSEMBLY
087		INC. 88-95
088	413D33-4	LOCK LEVER
089	327938-7	SNAP RETAINER
090	268181-8	PIN 3
091	413D31-8	LIFTER GUIDE L
092	232617-3	COMPRESSION SPRING 10
093	253173-0	FLAT WASHER 10
094	961013-5	STOP RING E-7
095	256A04-8	PIN 10
096	265C46-3	HEX. BOLT M4X12 WITH WG
097	162712-4	REAR BASE
098	265B13-2	HEX. BOLT M10X20 WITH WG
106	265B10-8	HEX BOLT M12X40
107	253460-7	FLAT WASHER 13

109	213211-0	O RING 15
109-1	213A73-2	O-RING 15
112	327646-0	AXLE 20
113	253460-7	FLAT WASHER 13
114	265B10-8	HEX BOLT M12X40
115	136835-4	HEX. SLEEVE 20 ASS'Y
C10	263027-3	RUBBER PIN 4
117	141H01-8	TIRE 210 ASSEMBLY
117		INC. 131-134,136-139
118	257498-4	RING 20
121	136835-4	HEX. SLEEVE 20 ASS'Y
C10	263027-3	RUBBER PIN 4
122	127457-1	CASTER 210 ASSEMBLY
122		INC. 106,107,109,112-115,
122		INC. 117,118,121
123	265C39-0	HEX. FLANGE HD. BOLT M6X16
124	347950-1	WHEEL 150
125	422857-3	TIRE 330
126	162B39-4	TUBE 330
C10	GQ00000001	VALVE CAP M8
128	347949-6	WHEEL 150
129	253551-4	FLAT WASHER 6
130	252308-0	HEX. NUT M6-10
131	265C40-5	HEX. BOLT M8X20
132	253552-2	FLAT WASHER 8
133	347952-7	WHEEL 100
134	422860-4	TIRE 210
136	162B40-9	TUBE 210
C10	GQ00000001	VALVE CAP M8
137	347951-9	WHEEL 100
138	253552-2	FLAT WASHER 8
139	252309-8	HEX. NUT M8-13
145	183X90-3	SWITCH BOX SET
C10	8065A9-5	CAUTION LABEL
145		INC. 162
146	140P26-7	SWITCH CIRCUIT COMPLETE
C10	183X57-1	SWITCH PLATE SET
C20	266490-9	TAPPING SCREW PT 2X6
147	346249-1	PIPE CLAMP 28
148	265A97-4	H.S.H.BOLT M5X16 WITH WR
149	232738-1	TORSION SPRING 11
150	412206-2	SWITCH LEVER
151	422554-1	LEVER COVER
152	651395-0	SWITCH C3JW-6B-PA6N
153	620C26-0	LED CIRCUIT
154	699178-0	POWER SUPPLY CORD UNIT
155	266130-9	TAPPING SCREW BIND PT 3X16
156	122C26-1	BUZZER SWITCH ASSEMBLY
C10	632T14-7	SWITCH UNIT
161	422555-9	SWITCH COVER
162	183X90-3	SWITCH BOX SET

C10	8065A9-5	CAUTION LABEL
162		INC. 145
163	266130-9	TAPPING SCREW BIND PT 3X16
164	265C98-4	HEX SOCKET HEAD BOLT M5X25
165	312C48-1	CLAMP 22
166	266130-9	TAPPING SCREW BIND PT 3X16
167	312C44-9	ADJUST NUT
168	312C43-1	ADJUST BOLT
169	413D25-3	SWITCH HOLDER
170	632T13-9	SWITCH UNIT
173	127458-9	BRAKE LEVER ASSEMBLY
173		INC. 166-170
182	140P23-3	BRAKE CABLE 1590
187	140T47-3	HANDLE R COMPLETE
188	141H20-4	HANDLE LOCK KNOB
C10	232739-9	COMPRESSION SPRING 15
C20	313400-8	SPRING HOLDER
193	140P15-2	HANDLE L COMPLETE
197	141H20-4	HANDLE LOCK KNOB
C10	232739-9	COMPRESSION SPRING 15
C20	313400-8	SPRING HOLDER
199	141N97-5	HANDLE BASE COMPLETE
C10	8059G2-2	INDICATION LABEL
200	412562-0	HANDLE BASE COVER
201	265B11-6	HEX. BOLT M8X20 WITH WR
202	265A96-6	H.S.H.BOLT M5X14 WITH WR
204	262206-0	RUBBER RING 6
205	256942-8	ROD 6
207	141K01-6	BATTERY COVER COMPLETE
C10	8048W7-5	CAUTION LABEL
C20	8059G1-4	INDICATION LABEL
C30	816M70-5	INDICATION LABEL
208	412195-1	BATTERY COVER HOOK
209	231240-1	COMPRESSION SPRING 7
210	412533-7	HOOK RETAINER
211	266326-2	TAPPING SCREW 4X18
212	183V34-1	TERMINAL CASE SET
C10	263005-3	RUBBER PIN 6
213	266326-2	TAPPING SCREW 4X18
214	644809-6	TERMINAL
215	961004-6	RETAINING RING (EXT) S-8
216	265C85-3	HEX SOCKET HEAD BOLT M6X12
217	265C86-1	HEX SOCKET HEAD BOLT M6X22
218	265C86-1	HEX SOCKET HEAD BOLT M6X22
219	347A43-0	SPACER 6
221	266326-2	TAPPING SCREW 4X18
222	266326-2	TAPPING SCREW 4X18
224	412196-9	CHANGE LEVER
225	213A15-6	O-RING 14
226	141L75-3	TOP COVER COMPLETE
C10	8048W3-3	INDICATION LABEL
227	620C24-4	INDICATION CIRCUIT

228	265C42-1	TAPPING SCREW 3X6
229	961062-2	STOP RING E-12
230	651444-3	SWITCH 1703.4703
231	638A27-2	LEAD UNIT
232	451343-7	SWITCH HOLDER
233	266326-2	TAPPING SCREW 4X18
234	412188-8	CENTER CASE
235	8118K4-0	DCU603 NAME PLATE
236	213A15-6	O-RING 14
237	413D29-5	KEY JOINT
238	650622-2	SWITCH
239	451343-7	SWITCH HOLDER
240	266326-2	TAPPING SCREW 4X18
241	620G67-0	CONTROLLER
242	620C25-2	BUZZER CIRCUIT
243	413D35-0	BUZZER COVER
244	422840-0	GROMMET
245	412194-3	INNER CASE
246	266326-2	TAPPING SCREW 4X18
253	682114-3	GROMMET
254	682114-3	GROMMET
255	620D13-5	CONTROLLER
256	266326-2	TAPPING SCREW 4X18
257	687051-6	STRAIN RELIEF
258	687124-5	STRAIN RELIEF
259	266326-2	TAPPING SCREW 4X18
260	412190-1	FRONT COVER
261	266326-2	TAPPING SCREW 4X18
264	699180-3	POWER SUPPLY CORD UNIT
265	699181-1	POWER SUPPLY CORD UNIT
266	265B16-6	HEX. BOLT M6X16 WITH WR
267	265B17-4	HEX. BOLT M5X16 WITH WR
268	347622-8	LIGHT STAY R
269	319594-7	LIGHT CASE
270	213656-2	O RING 53
271	457636-0	REFLECTOR
272	457634-4	LENS
273	213604-1	O RING 50
274	457635-2	COVER
275	687124-5	STRAIN RELIEF
276	266034-5	TAPPING SCREW CT 4X16
277	687124-5	STRAIN RELIEF
278	266034-5	TAPPING SCREW CT 4X16
279	620685-2	LED CIRCUIT
280	422151-3	PACKING
281	319595-5	LIGHT CASE COVER
282	266034-5	TAPPING SCREW CT 4X16
283	265B16-6	HEX. BOLT M6X16 WITH WR
284	265B17-4	HEX. BOLT M5X16 WITH WR
285	347623-6	LIGHT STAY L
286	319594-7	LIGHT CASE

287	457634-4	LENS
288	457636-0	REFLECTOR
289	213656-2	O RING 53
290	213604-1	O RING 50
291	457635-2	COVER
292	266034-5	TAPPING SCREW CT 4X16
293	687124-5	STRAIN RELIEF
294	620685-2	LED CIRCUIT
295	422166-0	PACKING
296	319595-5	LIGHT CASE COVER
297	266034-5	TAPPING SCREW CT 4X16
298	413D37-6	LEVEL CASE
299	242101-0	LEVEL INDICATOR
300	413D36-8	LEVEL COVER
301	413D38-4	LEVEL RETAINER
302	266130-9	TAPPING SCREW BIND PT 3X16
303	687F00-9	BAND
304	413D30-0	KEY
305	422961-8	PAD RETAINER
306	422961-8	PAD RETAINER
311	162717-4	UPPER FRAME
312	140P16-0	DUMP HANDLE COMPLETE
C10	8048W5-9	MAKITA LOGO LABEL
312-1	141R22-0	DUMP HANDLE COMPLETE
C10	8048W5-9	MAKITA LOGO LABEL
314	265B16-6	HEX. BOLT M6X16 WITH WR
315	347628-6	HOLDER
316	327470-1	ROD 5
317	941102-2	FLAT WASHER 5
318	412197-7	KNOB
319	921461-0	HEX. BOLT M8X40
320	122C30-0	DUMP LOCK ASSEMBLY
320		INC. 321-324,327,328
321	347626-0	ARM
322	961004-6	RETAINING RING (EXT) S-8
323	256943-6	PIN 8
324	256196-7	PIN 5
325	265B16-6	HEX. BOLT M6X16 WITH WR
327	347627-8	BASE
328	232618-1	TENSION SPRING 11
329	422556-7	CUSHION RUBBER
332	162816-2	GAS SPRING 240
333	941252-3	FLAT WASHER 10
334	961014-3	STOP RING E-8
336	265508-3	HEX.BOLT M10X25
337	141N98-3	DUMP BASE COMPLETE
C10	8059G3-0	CAUTION LABEL
C20	8059G6-4	INDICATION LABEL
C30	8059G7-2	INDICATION LABEL
338	961102-6	RETAINING RING S-22
339	327474-3	SHAFT 22
340	327480-8	SLEEVE 22

342	265B12-4	FLAT H. SQUARE NECK BOLT M8 X24
343	261164-7	RUBBER WASHER 20
344	412198-5	DUMP BUCKET 200
349	347624-4	BUCKET BASE R
350	265B11-6	HEX. BOLT M8X20 WITH WR
351	347625-2	BUCKET BASE L
352	941201-0	FLAT WASHER 8
353	942201-3	SPRING WASHER 8
354	252278-3	HEX. CAP NUT M8
356	141N86-0	BUCKET GUARD COMPLETE
C10	457744-7	CAP 22
357	941201-0	FLAT WASHER 8
F01	191B63-0	DUMP UNIT SET
F01-1	1914G7-1	DUMP UNIT SET
F02	191B69-8	DUMP BUCKET 200 SET
F03	1911K4-7	TIRE 330 (SINGLE) SET
F04	1911K5-5	GRAY TIRE 330 (SINGLE) SET
F05	1911K6-3	GRAY TIRE 210 (SINGLE) SET